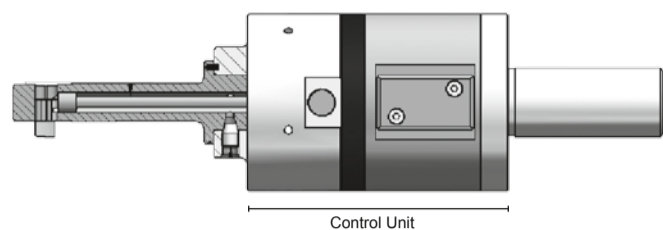


SOLO Maintenance Instructions

SOLO Wartungsanleitung (siehe Rückseite)



IMPORTANT:

The control unit may be opened by **certified and authorized personnel** exclusively. HEULE Werkzeug AG rejects any responsibility after opening by a non-authorized body.

If this provision is not complied with, there is a **risk of severe injuries** when setting to work!

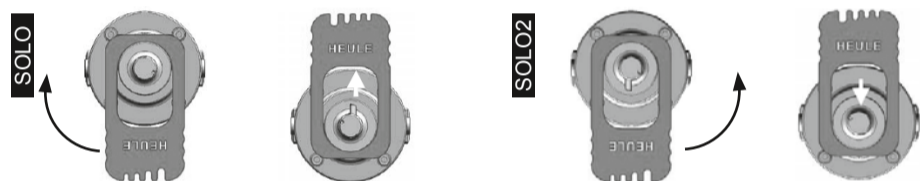
3. Negative effects from long periods of non-use

After not using the tool for a longer period of time, a manual function check has to be carried out! During a longer period of non-use, residues of coolant and dirt dry up. This may lead to the blade and blade control sticking together. This sticking effect may cause a malfunction or prevent the blade from being activated. In order to ensure the function again, the tool has to be manipulated manually before setting to work.

4. Function Check

SOLO offers the possibility to check the function of the tool (Extending and retracting of the blade) while it is standing still. Procedure:

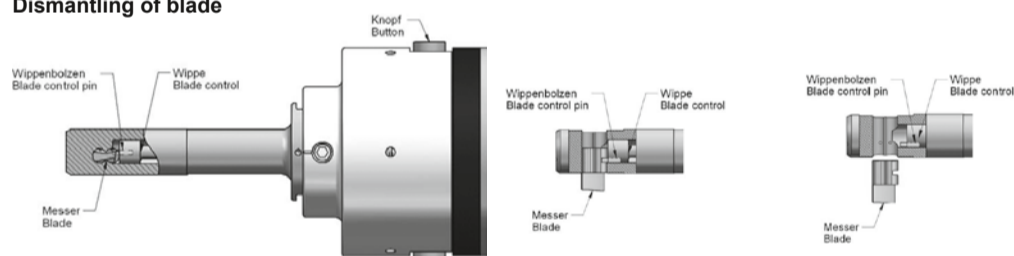
- 1 - Loosen the three clamp screws
- 2 - Insert wrench over the blade housing
- 3 - Turn wrench clock wise, SOLO2: turn wrench anti-clock wise



- 4 - Please note that the blade extends if it is SOLO. If it is SOLO2 the blade will retract.

5. Blade Change

5.1 Dismantling of blade



- 1 - Push both buttons of the control unit at the same time. (The blade control and blade control bolt will be retracted.) The blade is released.
- 2 - Push blade out. Keep both buttons pushed in until the blade has been fully removed.

5.2 Assembly of blade

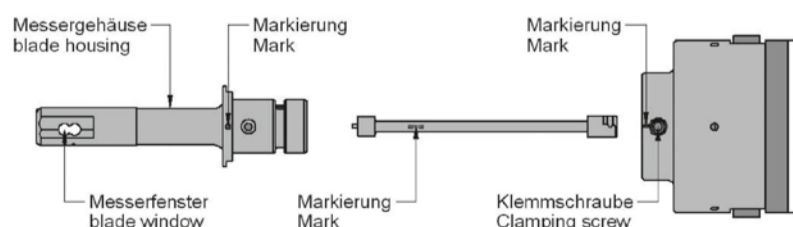
- 1 - Push both buttons of the control unit at the same time.
- 2 - Insert blade in blade window to the extent that the cutting part of the blade remains fully visible - to do this keep on pushing the buttons of the control unit.
- 3 - Release the buttons. Make sure that the buttons are extended fully.
- 4 - Position the blade in the blade window so that the blade control bolt audibly engages into the blade.

ATTENTION:

Please check the position of the blade control bolt. If the blade housing and/or the blade control bolt is assembled wrong, there is a danger of the carbide blade being hit.

Change of Blade Housing and Blade Control (continued 1)

6.2 Assembly



- 1 - Push blade control (snap mechanism + seal) well positioned with some force into the control unit. Attention: Please make sure that the mark on the blade control and the mark on the control unit are aligned.
- 2 - Mount the blade housing onto the control unit. Please make sure that the blade control bolt is mounted with a twist of approx. 10° into the clearance groove of the blade housing. Then, align the mark of the blade housing with the mark of the control unit.

1. Maintenance Intervals / Services

Compulsory maintenance interval: after 18 months or 200'000 strokes.

All service work requiring the opening of sealed screws has to be carried out by authorized personnel that has been certified by HEULE Werkzeug AG.

HEULE Werkzeug AG offers support and services for all products. Professional maintenance work and timely service intervals assure a process safe functioning.

2. Compulsory Maintenance and Warning Notices

The maintenance work upon reaching the service interval is mandatory. HEULE Werkzeug AG would like to point to the fact that the maintenance has to be carried out by HEULE or a certified partner.

Only the following three operations can be carried out by the customer on its own:

- Blade change
- Change of blade housing
- Change of blade control

Please observe the given instructions in this document.

Function Check (continued)

- 5 - After the Function Check the SOLO wrench has to be turned back in the opposite direction until the positioning bolt hits the control unit at the start mark again. Then the blade housing is aligned with the groove in the control unit again.
- 6 - It is compulsory to remove the SOLO wrench before use - if omitted there is a **risk of severe injury!**
- 7 - Retighten the clamp screws again. Please make sure to observe the correct order of screw tightening and torque value (Values are marked on the tool)!
- 8 - The tool is ready for use now.

ATTENTION:

Please carry out all SOLO wrench-swivel movements by hand gently in order to be able to recognize possible faults and malfunctions of the blade. The function check is recommended if:

- the tool has not been used for a longer period of time
- after blade change
- after change of blade housing
- after change of blade control
- a malfunction is evident or supposed.

Before you start with the setting to work in the machine, make always sure that

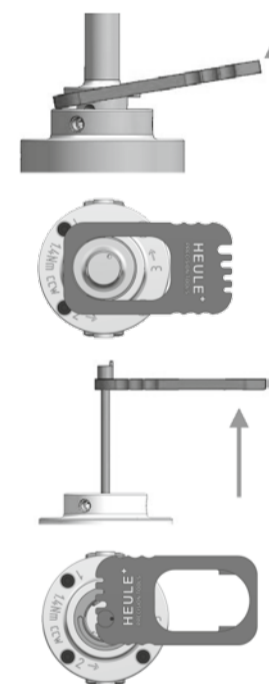
- all screws have been tightened,
- all auxiliary tools have been removed and that
- the blade housing sits firmly in the control unit.

In case of questions please contact your competent agent or HEULE directly.

6. Change of Blade Housing and Blade Control

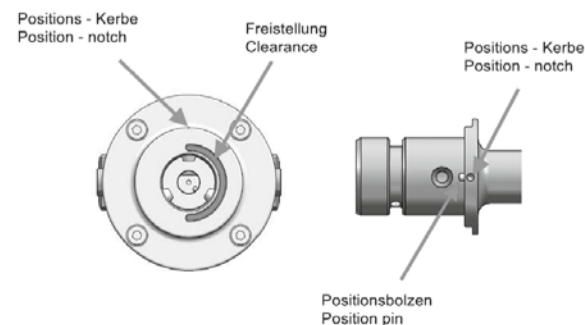
6.1 Dismantling

- 1 - Loosen the 3 clamp screws of the control unit and unscrew them only partly.
- 2 - Pull the blade housing forward - away from the control unit. The blade house wrench simplifies the disassembly and should be used always.
- 3 - Pull forward the blade control too by applying some force but without unscrewing anything. Please use the blade house wrench in case of small diameter and/or short length.



Change of Blade Housing and Blade Control (continued 2)

6.2 Assembly (continued)



- 3 - Screw the 3 clamp screws tightly. For this, please observe the torque value and screw order indicated on the control unit housing.
- 4 - ATTENTION: Before setting to work after a change of blade housing and/or blade control, a function check (refer to point 4) is compulsory.